



# SLIM JIM ALUMINUM FENCE

# ASSEMBLY INSTRUCTIONS

AF14001

**60 MIN**

*Approximate assembly time*

Want to see a video on how to  
assemble this product?  
Scan the QR code



## GENERAL INFORMATION



### IMPORTANT


- ✦ Check the inside of the larger pieces in your box for other materials packed inside.
- ✦ When assembling components, place on a non-abrasive surface (i.e. shipping box) to avoid scratching.
- ✦ We recommend an area approximately 5'x 8' for unobstructed assembling.
- ✦ You should not need to use excessive force when assembling components.

## MISSING OR DAMAGED PARTS?

### VISIT OUR WEBSITE FIRST, SO WE CAN HELP YOU RIGHT AWAY!

Although great care has been taken to ensure proper packaging and handling of this product, occasionally problems occur. If you discover any missing, damaged, or defective parts, please visit our website to order replacement parts. If you experience any further trouble with your product, please contact our customer care department.

 [parts.nychbrands.com](http://parts.nychbrands.com)

 [hmmm@wambamfence.com](mailto:hmmm@wambamfence.com)

 **704-892-5222 / 877-778-5733**

*Customer service agents are available to take calls weekdays from 9am-5pm EST. If you call outside of business hours, please leave a voicemail.*

To help you quickly and accurately, please have reference item number **AF14001** and the specific part name which can be found on page 10. It is helpful if you can provide the batch lot which is a stamped number inside the box.

## NEED ASSEMBLY HELP?

**Please give us a call at 704-892-5222 / 877-778-5733.**

If you are having problems with the assembly or installation of this product, we are happy to assist you with the process.

## NEED TO RETURN?

If for some reason you need to return this product, please allow us to help resolve your issues first. If you still decide to return the product, **you will need to initiate the return from the company you originally purchased from.**

## MEET CLEVER JOE

They call him Clever Joe because over the past few decades or so, he worked on inventing, re-inventing and perfecting the world of digless fence. He personally installed hundreds of fences the WamBam way, and he knows how well it works.

Joe's job is to help you perform the task of installing an attractive, professional looking WamBam Fence. Much like snowflakes and fingerprints, your property is one-of-a-kind and there are many scenarios you could encounter during your fence installation. That's why our team at WamBam is available to help you. Please feel free to call us - we'd love to help you out.

To read more about his story, go to [wambamfence.com](http://wambamfence.com)



## WE KNOW YOU HATE READING INSTRUCTIONS.

We do too!

But please, make an exception for this project. We want you to have the best possible experience installing your WamBam Fence and reading the instructions will ensure this. Trust us, you'll be glad you did!

So next time you're headed to the john, loo, WC, or bathroom, swap out the newspaper for this guide and start reading. There's a lot of great information in here, and we've tried to make it interesting. And relax, it's mostly pictures.

Having said that, we want to stress that this is a guide. Unfortunately, because everyone's property is different, we can't provide a concrete step A, B and C. This guide will help you in almost all situations, though, and remember, we're just a phone call away! For obstacles and challenges you might encounter, see our "Murphy's Aluminum Fence Laws" guide on our website for information on how to navigate potentially sticky situations.

## ● REALITY CHECK

### ● ROME WASN'T BUILT IN A DAY, AND YOUR FENCE PROBABLY WON'T BE EITHER.

Time is your friend when installing your WamBam Fence. So chill out. Relax. Do a yoga pose. Take plenty of breaks.

As we all know, time flies when you're having fun, so expect to spend more than just an afternoon on this project. If you expect to be able to WamBam your fence out in an hour, you're mistaken. Yeah, we know your dog and kids are running loose and your neighbor is driving you nuts, but if you take your time, your project will be more successful. Besides, you're going to be spending less time you would have if you had chosen to dig holes, mix cement, and go the old way... so be happy. Time is still on your side.

### ● PAY ATTENTION TO SLOPES!

Even if your yard does not resemble a black diamond ski run, you have to think about the slope of your fence line. Is there any? There almost always is, and you need to pay special attention to this in the planning and purchasing stages of your fence. Otherwise, the posts you order might be too short.

Please refer to our “Murphy’s Aluminum Fence Laws” for more in-depth information.

### ● PRACTICE MAKES PERFECT

Remember swinging the baseball bat as a kid, or shooting hoops for the first time? It took a bit to get the feel of it. The first few pipes you install into the ground might be a bit challenging at first, but it will get easier as you get the hang of it. Before you know it, you'll be WamBam-ing your pipes into the ground so quickly your neighbors won't know what happened.

For installation videos and more information, visit [www.wambamfence.com](http://www.wambamfence.com)



## JUST A COUPLE MORE THINGS

### OTHER STUFF YOU NEED TO KNOW

- ✦ Draw a sketch layout of the proposed fence lines and logically look it over. If it doesn't make sense on paper, chances are it won't make sense in your yard.
- ✦ Ask for some help. There's a good chance you have a handy neighbor or a family member that can help your project go more smoothly. An extra set of hands can make all the difference!
- ✦ Before you begin, make sure you have all the necessary materials, tools and equipment listed in the checklist found on page 7.

### AND FINALLY...

Believe Joe, after the past few decades of installing countless fences the WamBam way, the success of your installation is going to depend on three things:

1. **Site conditions**  
(And your creativity to work around unforeseen obstacles as they come up, because they are gonna come up!)
2. **Your personal skill level**
3. **Complexity of the project**

Remember, you are not alone. We love helping make our customer's lives easier and more fun! Call us. We would consider it an honor to help.



**AVOID THESE PITFALLS!**

HAVE YOU CONTACTED YOUR **LOCAL UTILITIES?** **1**



You must call your local utilities before you start installing your fence to avoid puncturing any unseen underground utilities, especially electrical or gas lines. Fortunately, this is made easy for you.

> Simply call **811** in the US or visit [www.call811.com](http://www.call811.com).  
 > In Canada, visit [www.transcanada.com/contactus.html](http://www.transcanada.com/contactus.html) for a list of phone numbers by province.

HAVE YOU CHECKED YOUR **LOCAL ZONING LAWS?** **2**

Local zoning laws and Home Owners Associations may regulate the height, style, and placement of your fence. Some locations may even require a permit.

ARE YOU ABSOLUTELY SURE WHERE YOUR **PROPERTY LINE** IS? **3**

Ensure the installation of your fence is within your property line limits.

HAVE YOU TALKED TO YOUR **NEIGHBORS?** **4**

Your fence will become part of their yard too, and you'll have an easier time building it if you can have access from both sides. Besides, you may get lucky if they decide to share the cost with you.



**IMPORTANT!** **5**  
 UNSTABLE GROUND OR ROCK?

If you encounter rock or unstable ground, you can concrete the pipe into place either during installation or afterwards.



## TOOLS AND MATERIALS YOU'LL NEED

- Safety Glasses
- 1ft. Torpedo Level
- 4ft. Level  
(optional String Line Level)
- WamBam Pipe Pounder  
(Purchase or rent a similar product from Home Depot, Lowe's or an equipment rental store.)
- 2in. x 2in. x 6in. Inch Wood "Spacer" Block  
(2 for each panel)
- Cordless Drill (preferably with a high-torque setting)
- 9/32in. Hex Shank Driver for Cordless Drill  
(for 5/8" hex head screws)
- 5/16in. Hex Shank Driver for Cordless Drill  
(for 1 1/4" hex head screws)
- Shovel (optional)
- Any Power Or Hand Saw With A Fine-Toothed Blade
- String Line Stakes
- Spool of String
- Tape Measure
- Earplugs



### OPTIONAL

Recommended for projects that require the installation of 30 or more anchors, or if you have incredibly dry or hard soil.

- Gas Powered Post Pounder  
(rental available through us or some local equipment companies)
- Air Driven Pipe Pounder & Small Air Compressor  
(must deliver at least 2.5 cu. ft. of air at 70-80 PSI. Available at your local equipment rental company.)

## MURPHY'S ALUMINUM FENCE LAWS

### LET'S PRETEND (JUST FOR A MOMENT) THAT YOU LIVE IN A PERFECT WORLD.

To get started, we are going to walk you through how you would install the fence illustrated below.

This is the perfect scenario with no curve balls. The ground is level, your fence sections all work out evenly, the birds are chirping, and the sky is blue.

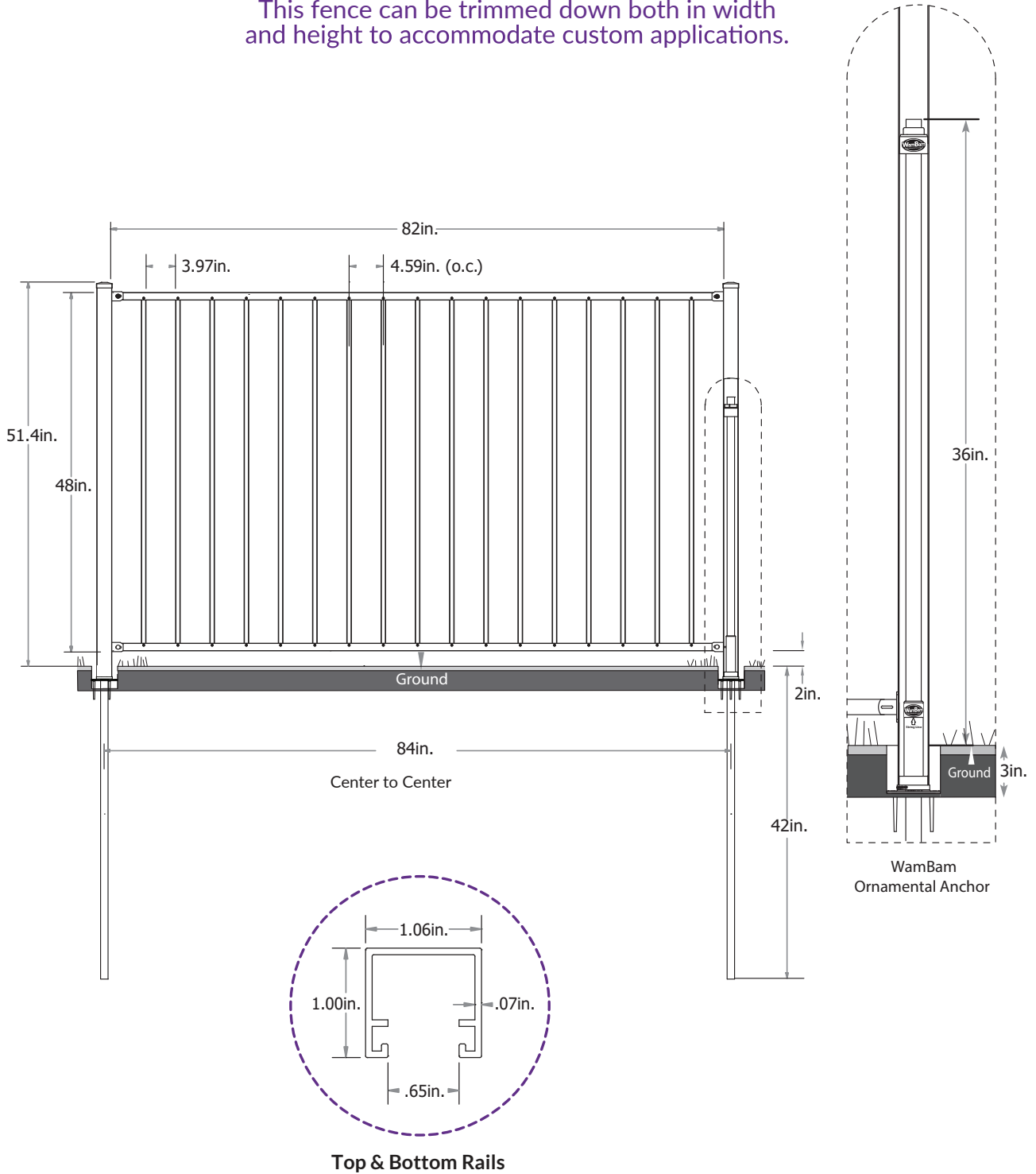
Now back to reality. Your situation is almost guaranteed not to be like this. That's why we created "Murphy's Aluminum Laws". This is a guide that outlines some of the different obstacles you could run into while installing your fence and how to overcome them. You can locate this information at: <https://wambamfence.com/knowledgebase/deal-sloping-ground-aluminum-fence>





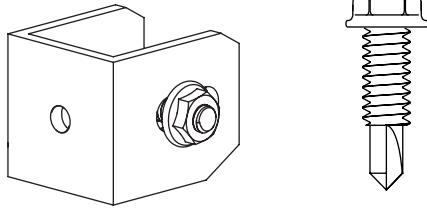
# DETAILED PRODUCT DIMENSIONS AND SPECIFICATIONS

This fence can be trimmed down both in width and height to accommodate custom applications.



# STEP 1: LAY OUT MATERIALS

**A**



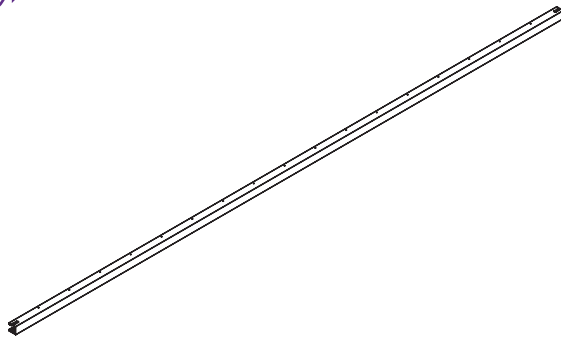
- 1. Rail Bracket (4)
- 2. Nut and Bolt (4)
- 3. #8 3/4" Self-Drilling Screw (4)

**B**



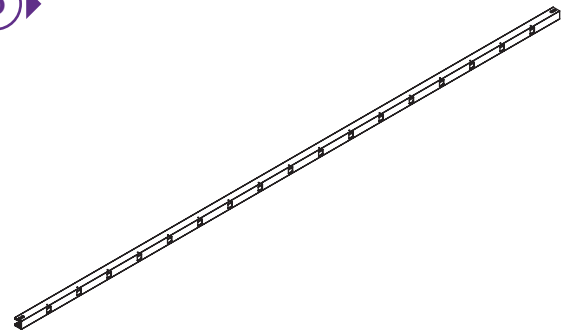
Picket (17)  
5/8" x 5/8" x 47 1/2"

**C**



Top Rail (1)  
1" x 1" x 81 3/4"

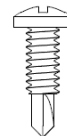
**D**



Bottom Rail (1)  
1" x 1" x 81 3/4"

**E**

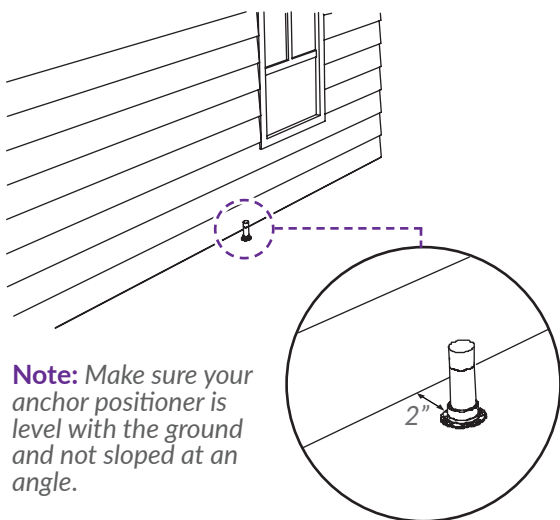
5/8" Self-Drilling Stainless Steel Screw (34)



## STEP 2: LOCATE AND INSTALL FIRST PIPE ANCHOR

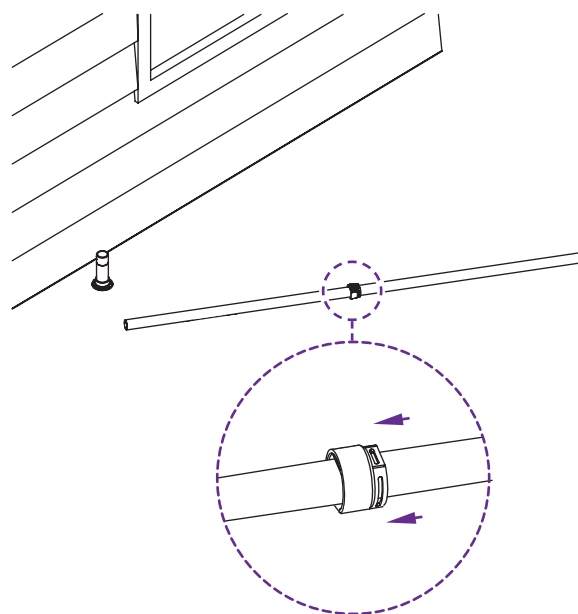
### STEP 2.1

► Identify the location for the first pipe anchor positioner. Keep the edge of the anchor positioner 2" away from any vertical surface to leave room for the post.



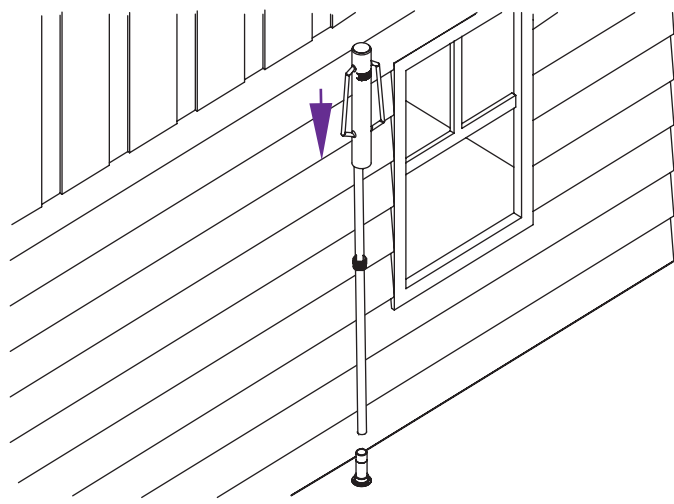
### STEP 2.2

► Slide the leveling donut over the pipe anchor.

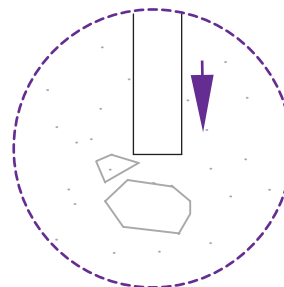


### STEP 2.3

► Use a post pounder to stabilize the pipe anchor in the anchor positioner, then pound the pipe anchor into the ground.

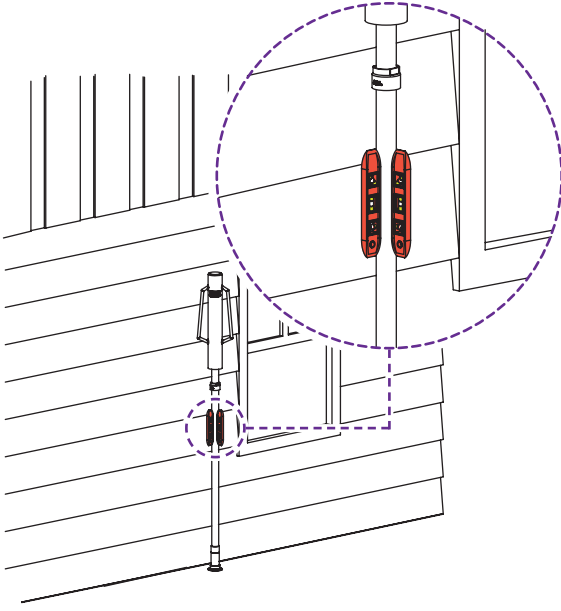


**Note:** If obstructions exist beneath the ground, please refer to our 'Murphy's Aluminum Fence Laws' guide for further clarification.



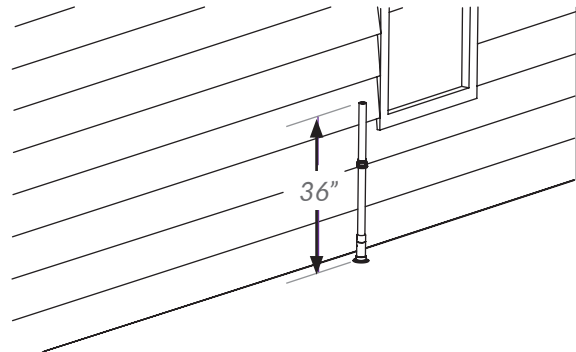
**STEP 2.4**

▶ At 6" intervals, check that the pipe anchor is level. Pounding the pipe anchor from all four sides will help to achieve this.



**STEP 2.5**

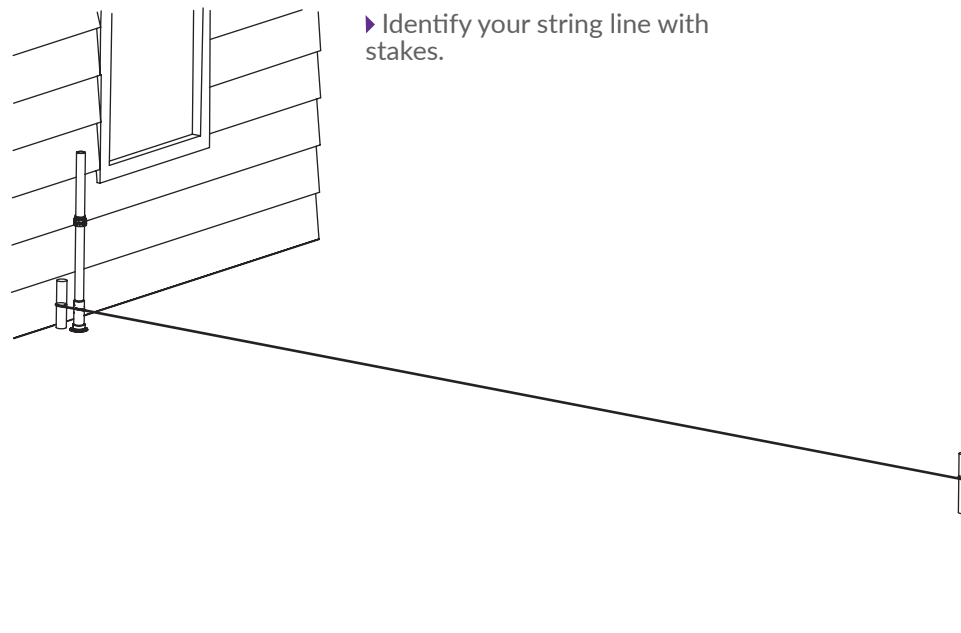
▶ Drive the pipe anchor 42" into the ground. 36" of the pipe anchor should be above the ground.



**STEP 3: LAY OUT STRING LINE**

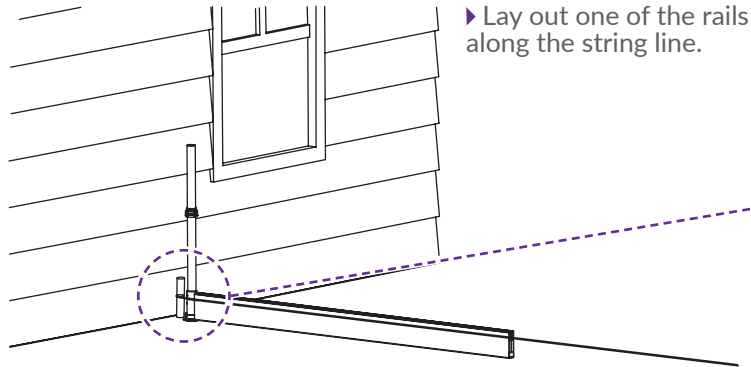
**STEP 3.1**

▶ Identify your string line with stakes.

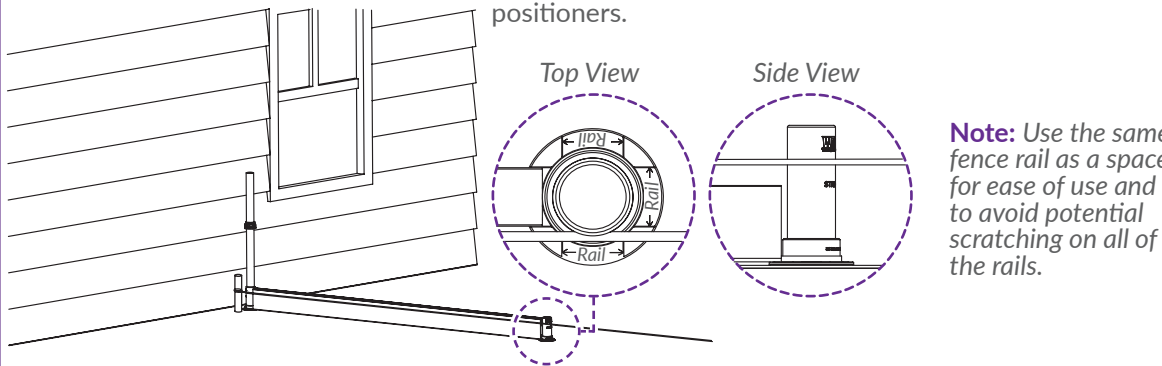


# STEP 4: INSTALL PIPE ANCHORS

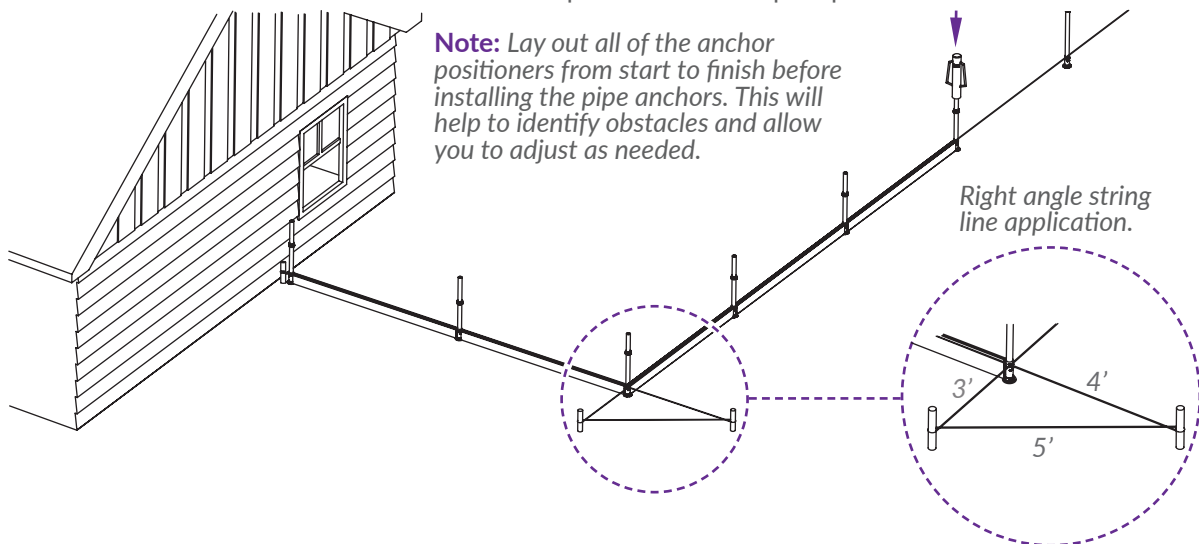
## STEP 4.1



## STEP 4.2

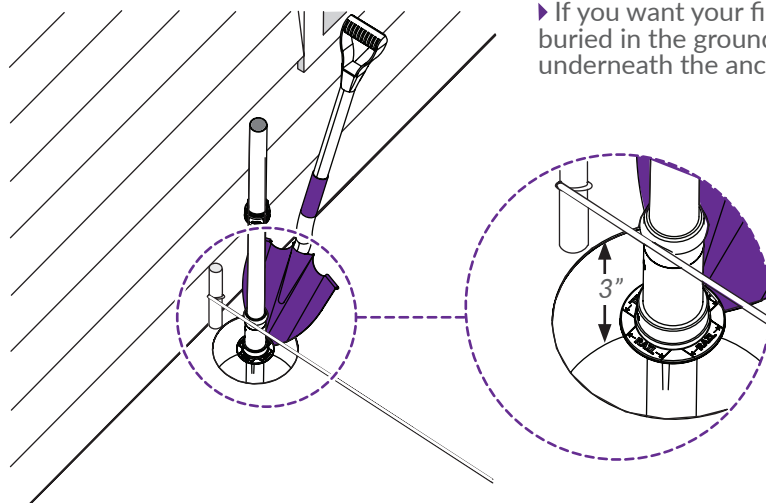


## STEP 4.3



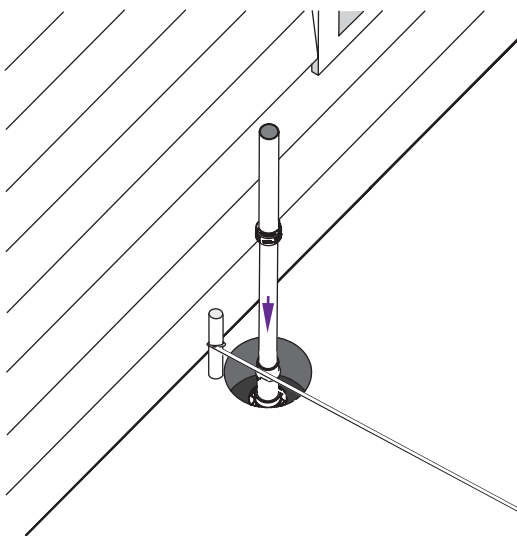
## STEP 5: REMOVE SOIL AND SECURE ANCHOR POSITIONERS

### STEP 5.1 (OPTIONAL) ▶



▶ If you want your finished fence post to appear buried in the ground, remove about 3" of soil from underneath the anchor positioner.

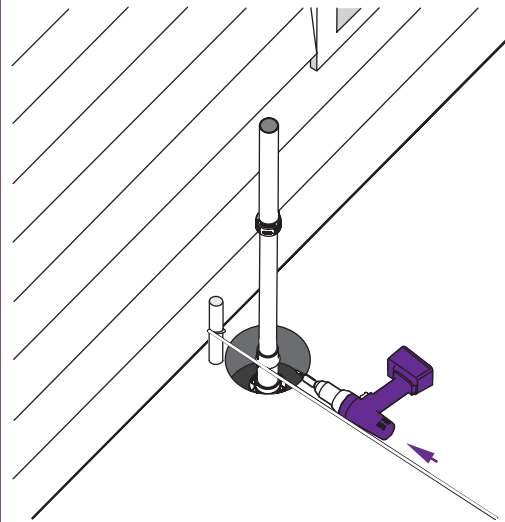
### STEP 5.2 ▶



▶ Adjust your string line to the string line marking on the anchor positioner.

**Note:** The anchor positioner is designed to adjust both up and down on the pipe anchor to help you determine the final elevation of the post.

### STEP 5.3 ▶



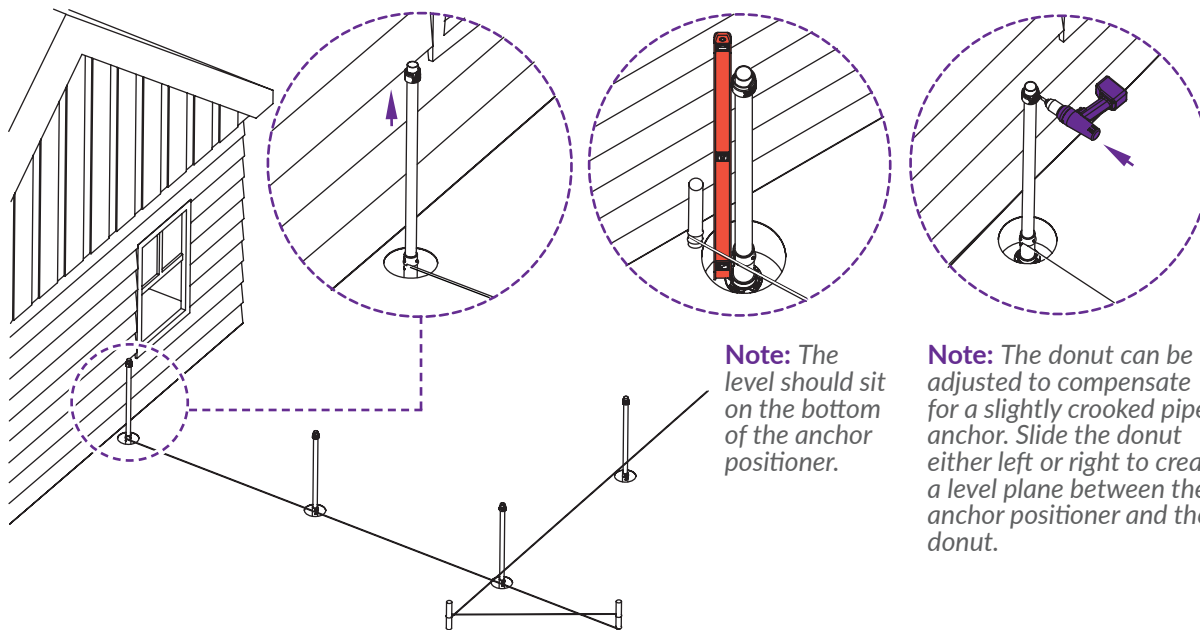
▶ Drive (1) #8 5/8" self-drilling tek screw, included in the post box, through the anchor positioner into the pipe anchor.

**Note:** The hex head tek screws are packaged with the anchor positioner. You may need to pre-drill before installing the tek screw. Use a 1/8" drill bit.

## STEP 6: POSITION AND SECURE LEVELING DONUTS

### STEP 6.1

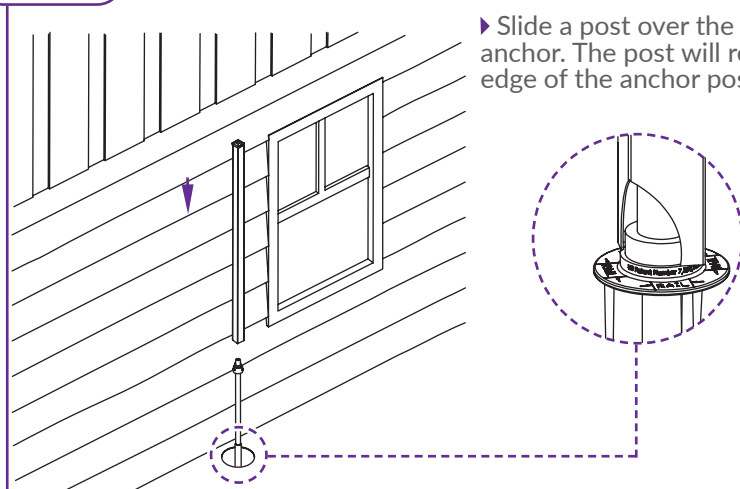
► Lift the leveling donut to within 1" of the top of the pipe anchor. Adjust the leveling donut as necessary until it is level with the anchor positioner. Fasten the donut to the pipe anchor using (2) #8 5/8" self-drilling tek screws included in the donut packaging.



## STEP 7: INSTALL POSTS

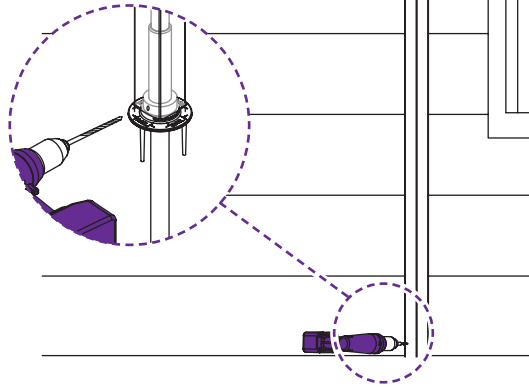
### STEP 7.1

► Slide a post over the first pipe anchor. The post will rest on the edge of the anchor positioner.



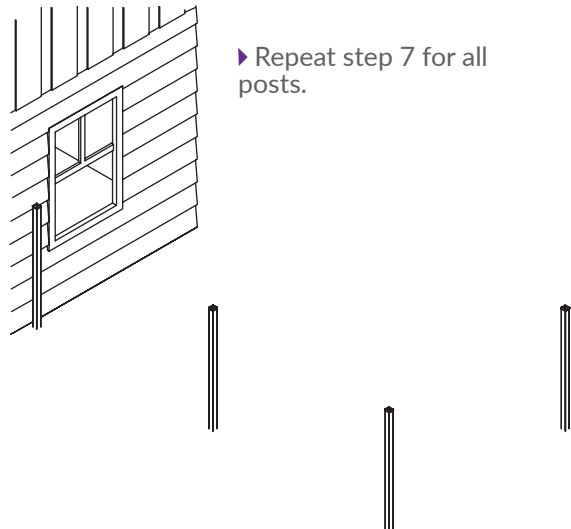
**STEP 7.2**

▶ Drive a #10 1¼" self-drilling tek screw from the post box through the post, anchor positioner, and pipe anchor.



**STEP 7.3**

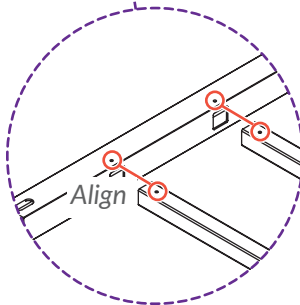
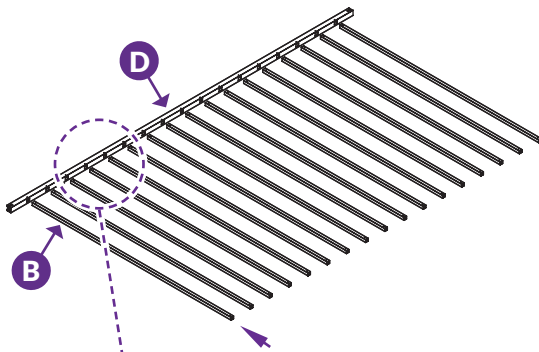
▶ Repeat step 7 for all posts.



**STEP 8: ASSEMBLE FENCE PANELS**

**STEP 8.1**

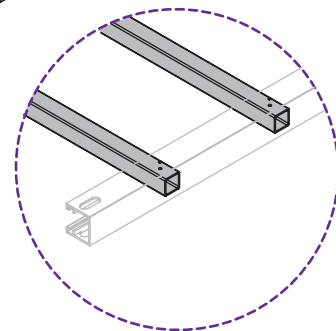
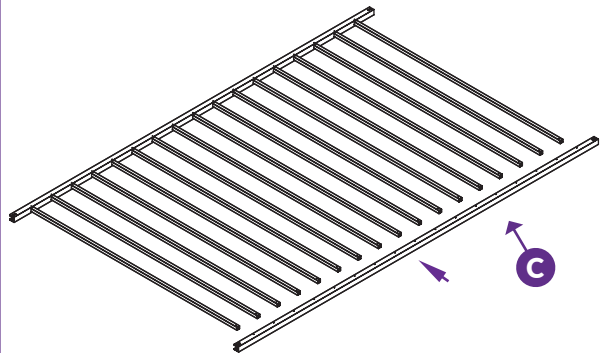
▶ Insert (17) Pickets (B) into the Bottom Rail (D) and align the holes in the pickets with the holes in the bottom rail.



**Note:** For ease of assembly use a large, flat, clean surface (i.e. - garage floor, or ideally an elevated table with a drop cloth to protect the materials from getting scratched).

**STEP 8.2**

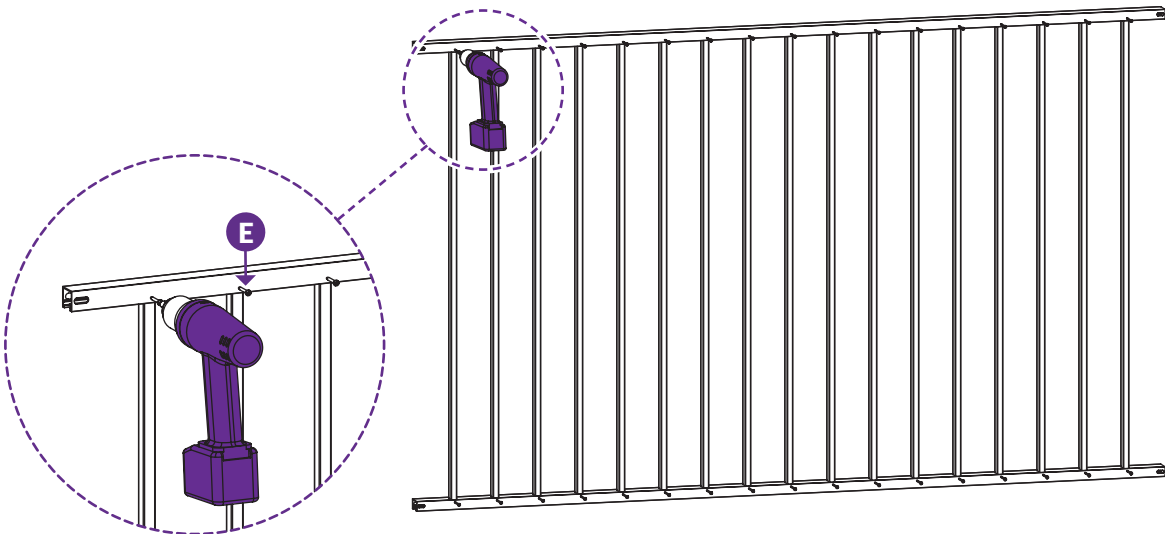
▶ Insert the pickets into the Top Rail (C) and align the holes in the pickets with the holes in the top rail.





**STEP 8.3**

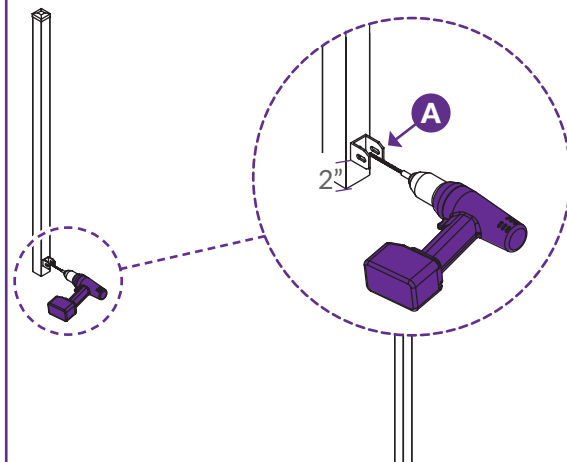
▶ Fasten the pickets to the rails with (34)  $\frac{5}{8}$ " Self Drilling Stainless Steel Screws (**E**). Adjust the torque setting to release at the point when the head of the screw is flush with the rail. If you force the screws, you will strip them.



**STEP 9: INSTALL RAIL BRACKET**

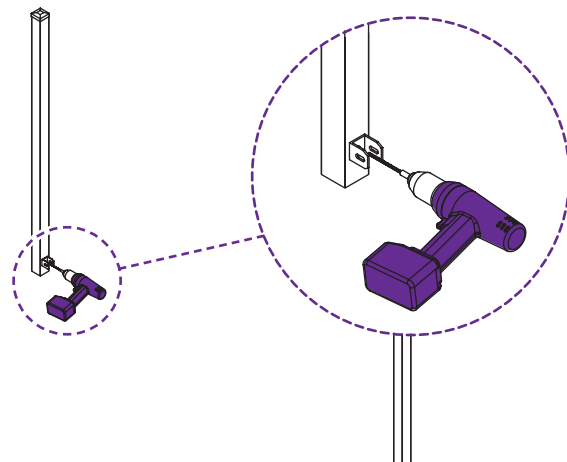
**STEP 9.1**

▶ Using the Rail Bracket (**A**), measure about 2" off the ground. Pre-drill a  $\frac{1}{8}$ " hole into the proper side of the post, through the post itself, and into the pipe anchor inside.



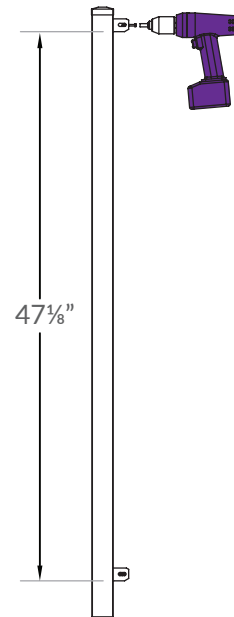
**STEP 9.2**

▶ Attach the rail bracket with a  $\frac{3}{4}$ " self-drilling stainless steel hex screw. If you force the screws, you will strip them.



**STEP 9.3**

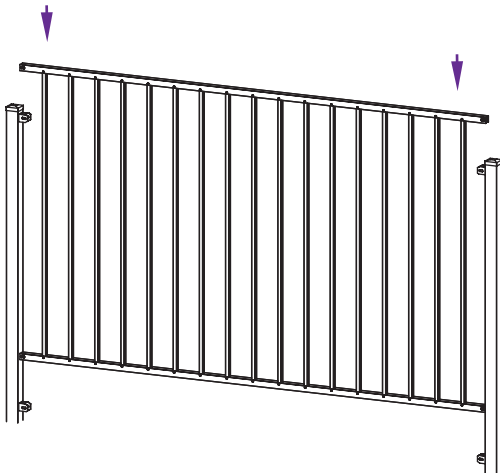
▶ Install the top rail bracket. The distance between the bottom of the bottom bracket and the bottom of the top bracket should be 47 $\frac{1}{8}$ ". Repeat with (2) rail brackets on the opposite post.



**STEP 10: ATTACH PANELS TO POSTS**

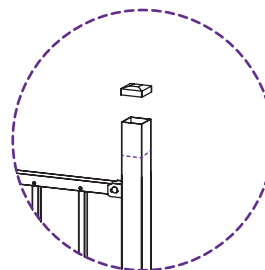
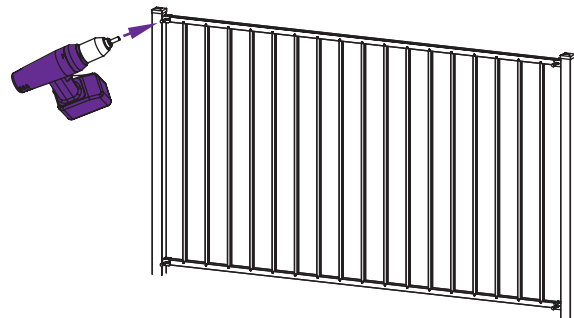
**STEP 10.1**

▶ Slide the fence panel in between the rail brackets.



**STEP 10.2**

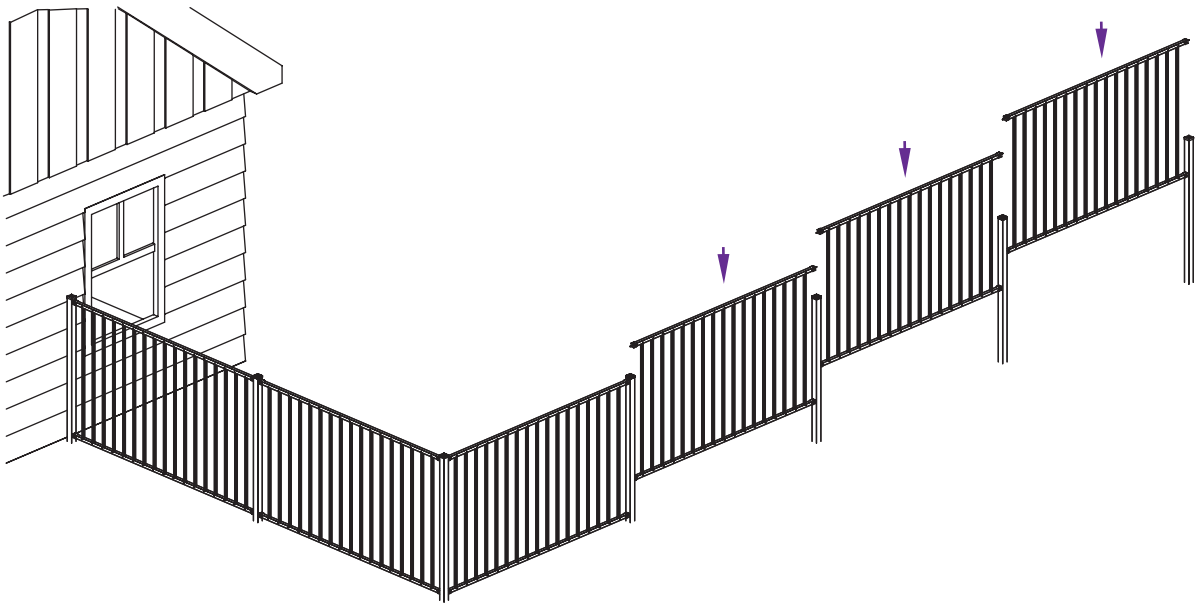
▶ Fasten the fence panel with the bolts and nuts that are packaged with the rail brackets.



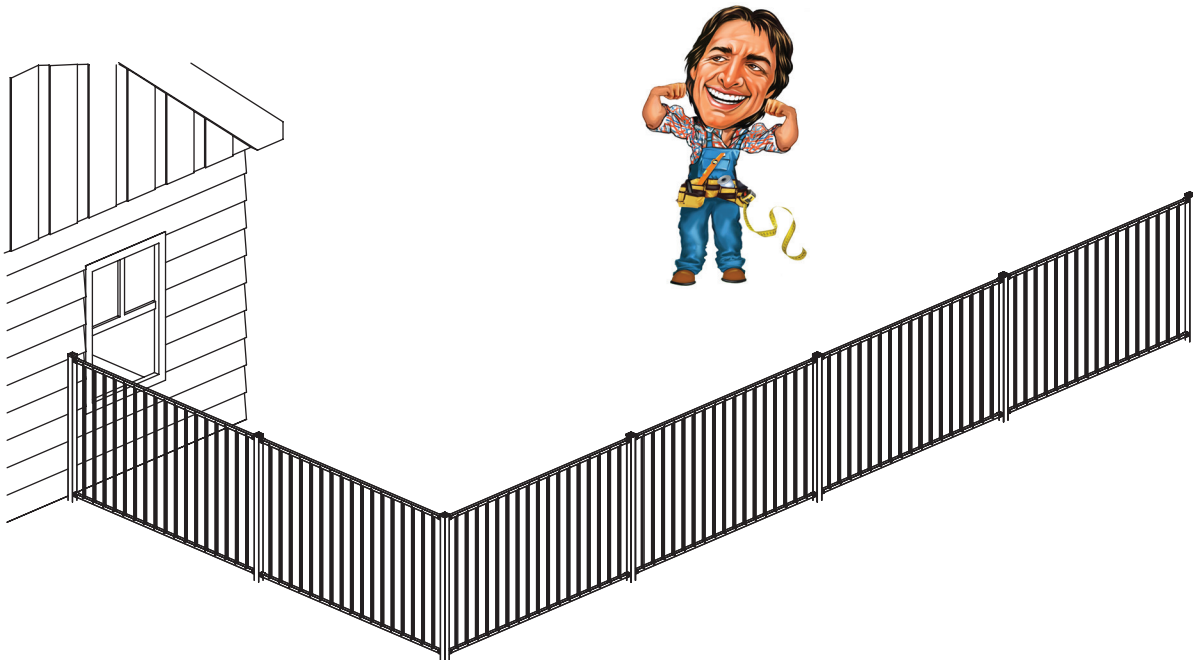
**Note:** The posts can be trimmed down if necessary.

**STEP 10.3** ▶

▶ Continue to assemble, level, and attach the remaining fence panels as shown.



▶ Congratulations! You did it! Go grab a beverage of your choice, admire your handiwork, and show us what you got by entering our annual photo contest!



# WamBam

Fun Name. Serious Fence.



6935 Reames Rd. Ste. K.  
Charlotte, NC 28216



[hmmm@wambamfence.com](mailto:hmmm@wambamfence.com)

704-892-5222  
877-778-5733



[WWW.WAMBAMFENCE.COM](http://WWW.WAMBAMFENCE.COM)